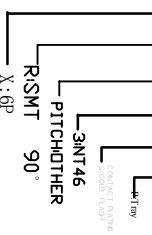


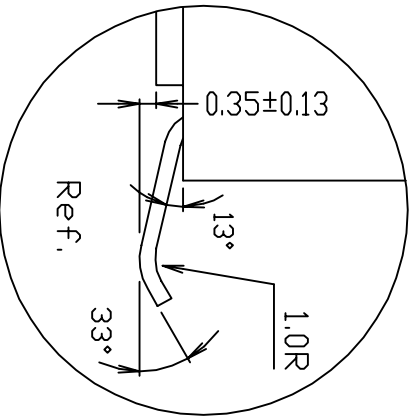
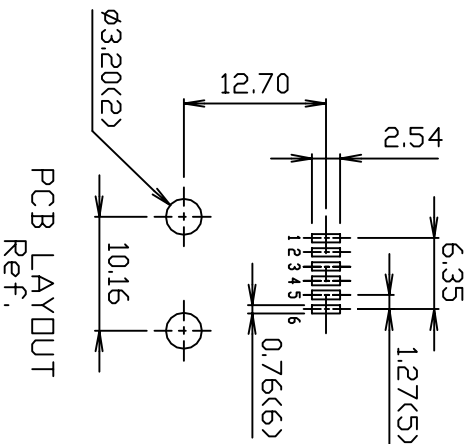
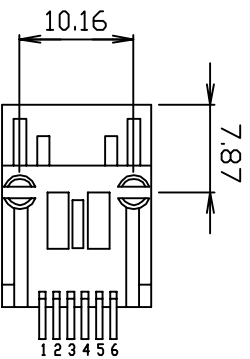
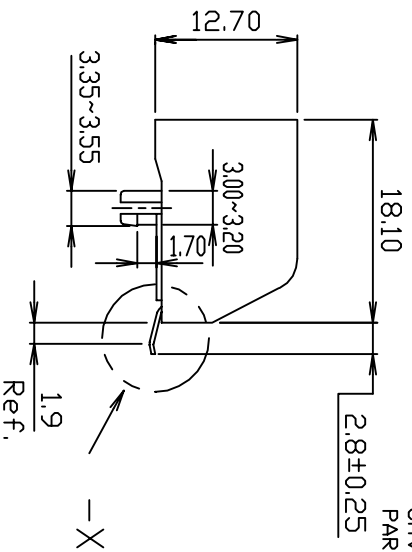
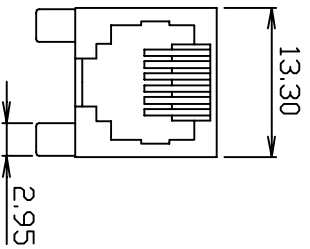
Ordering information

T-D D J X R 0 3 G P-00



REV.	EQN NO.	LOCATIONS.	DESCRIPTION	DATE	CHANGER
A				8-23-13	

- MATERIAL:
- HOUSING-DSM STANYL TE250F6 (NYLON-46)
 - HEAT DEFLECTION TEMP.290°
 - BLACK COLOR, UL94V-0
 - CONTACTS-0.35mm THICK PHOS-BRONZE
 - PLATED WITH HARD GOLD AND
 - GOLD FLASH IN SOLDER AREA.
- CAVITY CONFIRMS TO FCC RULES AND REGULATIONS
PART 68,SUBPART F.



DETAIL X

TOLERANCE UNSPECIFIED:			
X.	±0.50	得升電子股份有限公司 DISMT MECHANICAL ELECTRONIC CO.,LTD	
X.X	±0.25		
X.XX	±0.15		
X.XXX	±0.05		
X.XX'	±2'		
X.X'	±1'	成品規格圖	
PROJECTION:		DRAWN BY:	杨熊
UNIT:	mm [inch]	CHECKED BY:	何智权
SCALE:1:1	SIZE: A4	APPROVED BY:	陈宗洲
DATE:	8-23-13	DATE:	8-23-13
TITLE:	成品規格圖	PART NO.:	T-DRJXR03GP-00
PART NAME:	RJ11, SMT TYPE	MOLD NO.:	
LDV PROFILE:	SIDE ENTRY PCB JACK	DRAW NO.:	T-DRJXR03GP-00
		SHEET:	1 OF 1